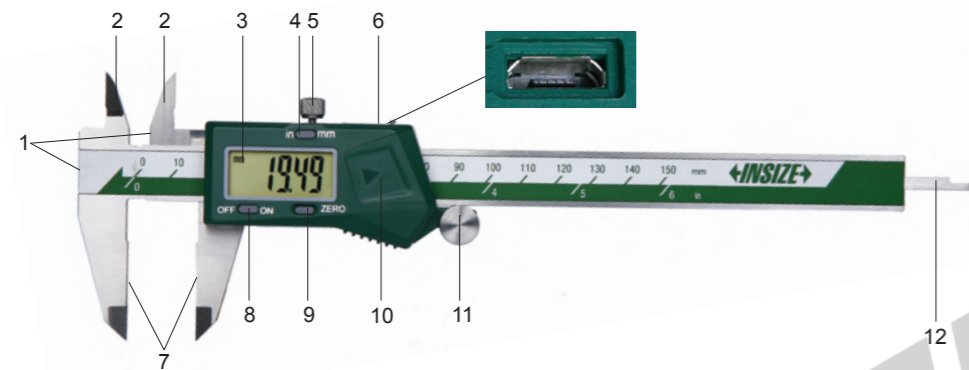




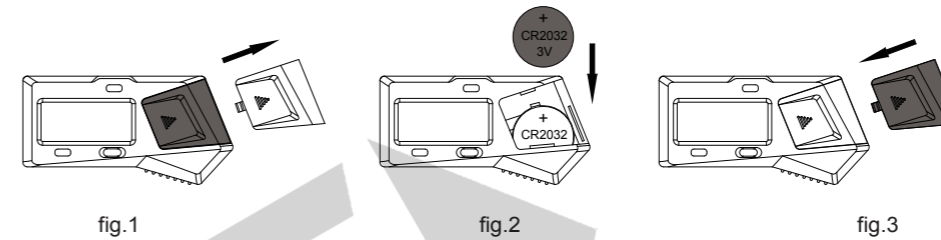
## OPERATION INSTRUCTION Digital Caliper Series 1108

Resolution: 0.01mm/0.0005"  
Accuracy:  $\pm 0.02\text{mm}/0.0008\text{"}$  (Range: 0-100mm/0-4")  
 $\pm 0.03\text{mm}/0.0012\text{"}$  (Range: 100-300mm/4-12")



- |                               |  |
|-------------------------------|--|
| 1-Step measuring faces        | 7-External measuring jaws                      |
| 2-Internal measuring jaws     | 8-'OFF/ON' button                              |
| 3-LCD display                 | 9-'ZERO' button                                |
| 4-'in/mm' button              | 10-Battery cover                               |
| 5-Locking screw               | 11-Thumb roller (not for code with suffix "W") |
| 6-USB output (Micro-mini USB) | 12-Depth measuring bar                         |

1. The caliper is not waterproof. The reading may not be correct if there is coolant or other liquid on caliper.
2. Install battery:
  - Remove the battery cover (fig.1)
  - Put CR2032 battery into battery house, the positive side of battery (+) should face out
  - Close the battery cover



3. Buttons:
  - 'in/mm' is for inch and mm conversion
  - 'OFF/ON' is to turn on/off
  - 'ZERO' is to set zero
4. Please clean the measuring faces with soft cloth (fig.3), then close the external jaws and press 'ZERO' button to set zero. Caliper should be checked regularly to make sure that it is properly zero set.
5. To get accurate measurement, it is necessary to control the force. During measurement, please always apply constant and proper force on the caliper. The measuring jaws should "hold" the workpiece and can still "slide" on the workpiece.
6. Automatic power off in about five minutes. Press 'OFF/ON' button or move the digital unit to turn on display.
7. Optional accessories: SPC cabel (series 7306, series 7308, code 7302-SPC5A), depth base attachment (code 6140).
8. One battery can last for one year use. When the battery is running out, the display will become weak, abnormal reading or other phenomena will appear when moving the digital unit, please remove battery. If caliper is not be used for more than 3 months, please remove the battery. Otherwise, liquid may leak from the battery and damage the caliper.
9. If digits do not change when buttons are pressed, take out battery and put it back after 1 minute.
10. Working temperature is 0-40°C/32-104°F, relative humidity should not exceed 80%.

MN-1108-E

V2