



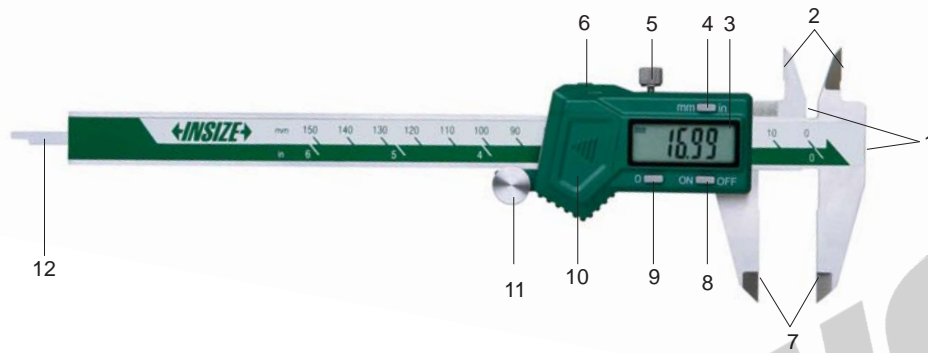
# OPERATION INSTRUCTION

## Left Hand Digital Caliper Series 1130

Resolution: 0.01mm/0.0005"

Accuracy:  $\pm 0.02\text{mm}/0.0008\text{"}$  (Range: 0-100mm/0-4")

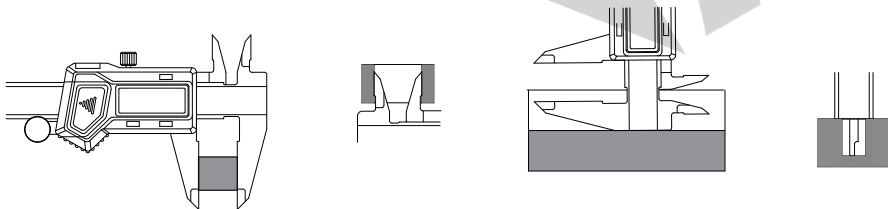
$\pm 0.03\text{mm}/0.0012\text{"}$  (Range: 100-300mm/4"-12")



- 1-Step measuring faces
- 2-Internal measuring jaws
- 3-LCD display
- 4-'mm/in' button
- 5-Locking screw
- 6-Data output

- 7-External measuring jaws
- 8-'ON/OFF' button
- 9-'0' button
- 10-Battery cover
- 11-Thumb roller (not for code with suffix 'W')
- 12-Depth measuring bar

1. The caliper is not waterproof. The reading may not be correct if there is coolant or other liquid on caliper. The measuring methods are following:



External measurement

Internal measurement

Step measurement

Depth measurement

2. Install battery:

---Remove the battery cover (fig.1)

---Put CR2032 battery into battery house, the positive side of battery (+) should face out (fig.2)

---Close the battery cover



fig.1



fig.2

3. Buttons:

mm/in---mm and inch conversion

ON/OFF---turn on/off

0---set zero

4. Before use, clean the measuring faces with soft cloth, then close the external jaws, press '0' to set zero. The caliper should be checked regularly to make sure that it is properly zero set.

5. To get accurate measurement, it is necessary to control the force. During measurement, please always apply constant and proper force on the caliper. The measuring jaws should 'hold' the workpiece and can still 'slide' on the workpiece.

6. Automatic power off about five minutes. Press any button or move the digital unit to turn on display.

7. Optional SPC cable data output cable(series 7302, 7305-SPC2, series 7306 and 7308).

8. One battery can last for one year use. When the battery is running out, digits will flash, please replace battery. If caliper is not be used for long time, please remove the battery. Otherwise, liquid may leak from the battery and damage the caliper.

9. Working temperature is 0~40°C/32~104°F, relative humidity should not exceed 80%.

MN-1130-E

V0